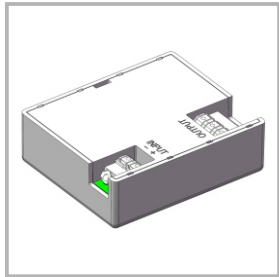
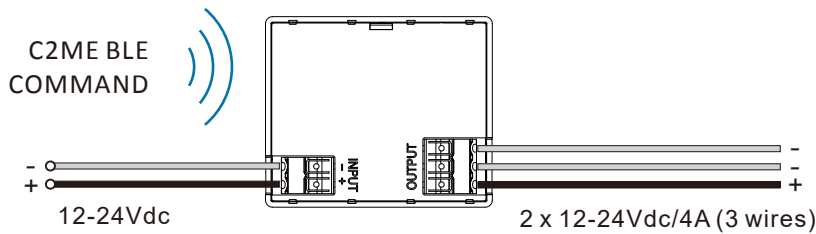
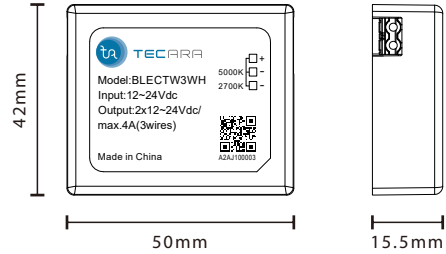
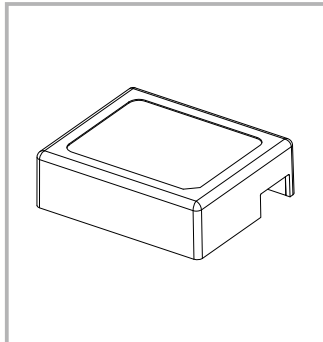


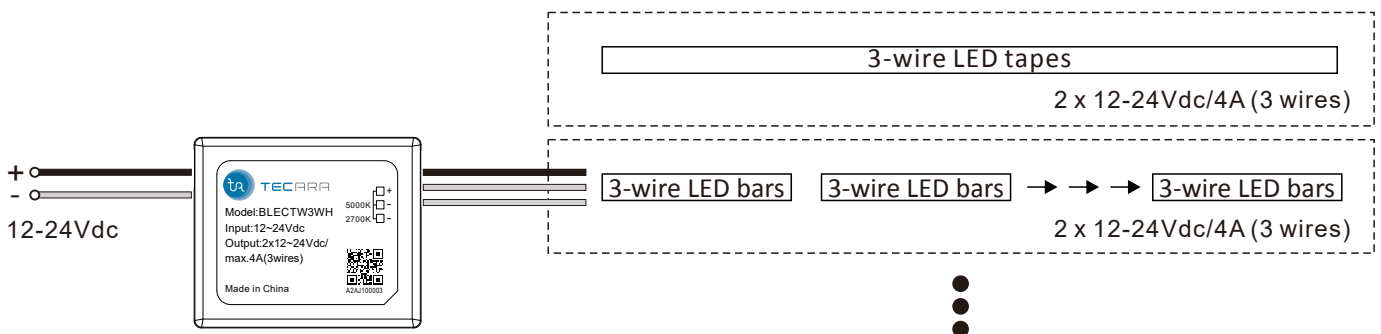
BLECTW3 Tunable White BLE Controller (3-wire)



BLE Controller



1. Tunable white 3-wire LED tapes
2. Tunable white 3-wire LED bars
3. Any low voltage DC fixtures with 3-wire tunable white configuration



Remark:

This controller takes a 12-24Vdc input and converts it into 2 x 12-24Vdc (4A) outputs to a 3-wire tunable white fixture in order to support a BLE wireless ON/OFF, dimming and CCT control.

Technical Specs:

Input: 12-24Vdc
Output: 2 x 12-24Vdc/4A (3 wires)

Applications:

- Tunable white 3-wire LED tapes
- Tunable white 3-wire LED bars
- Any low voltage DC fixtures with 3-wire tunable white configuration

Ordering Codes

Follow the steps to specify your fixture.

example:

① Base Code	② Code	Color
BLECTW3	WH	White
	BK	Black