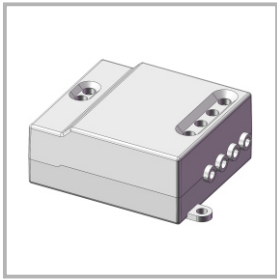
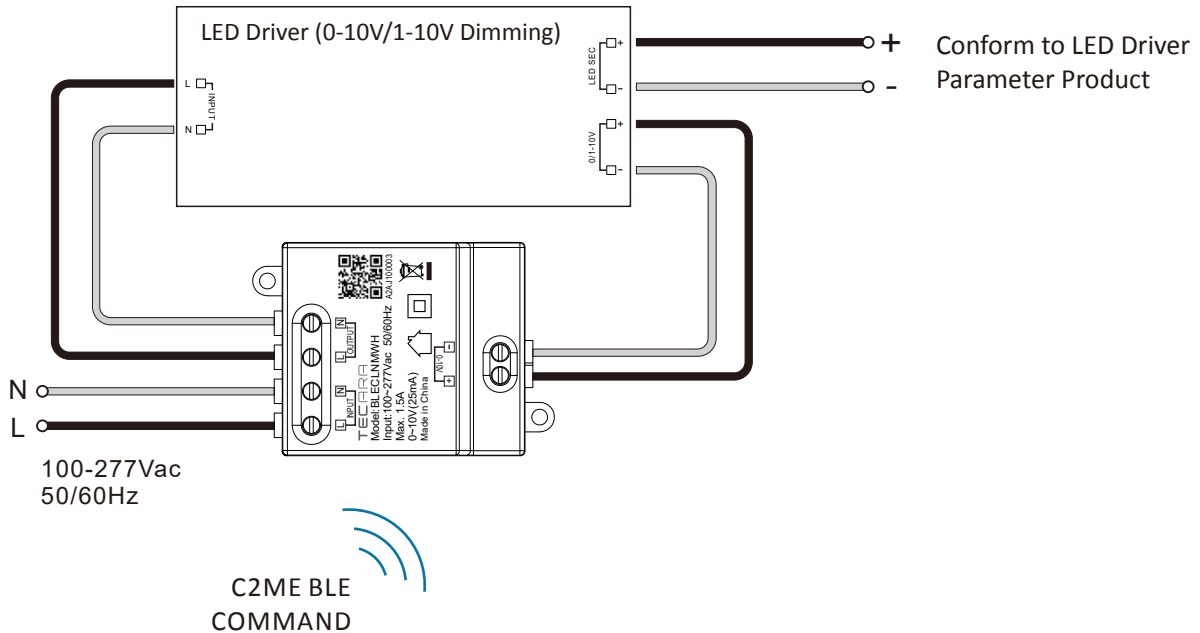
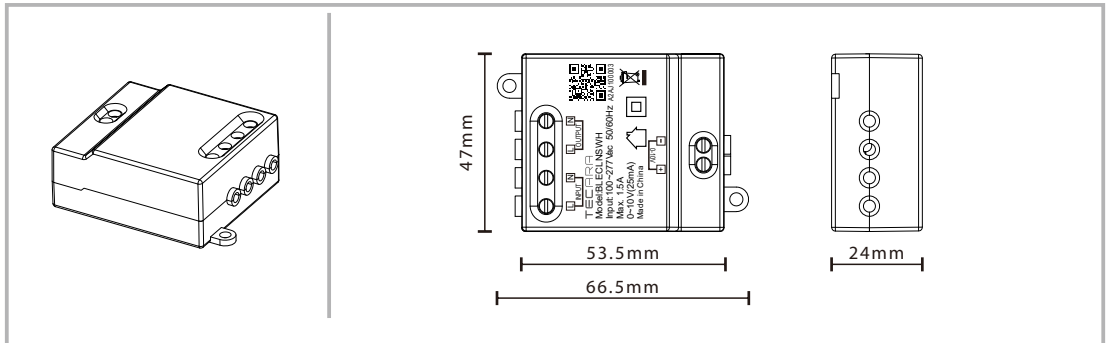


BLECLNS 0-10V Line Voltage BLE Controller



BLE Controller



Remark:

This controller takes a line voltage input and passes it out to any 0-10V dimmable driver. It also provides a 0-10V control signal to the driver in order to provide a BLE wireless ON/OFF and dimming control.

Technical Specs:

Input: 100-277Vac
Output: 100-277Vac (1.5A) and 0-10V control signal (25mA)

Applications:

Any LED fixtures with a 0-10V dimmable driver

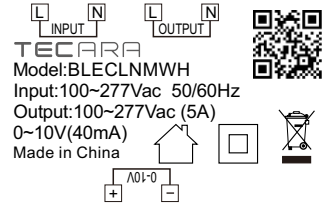
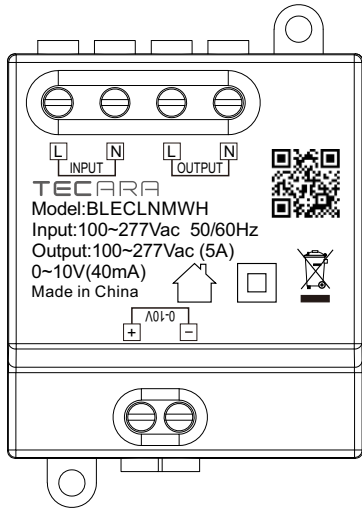
Ordering Codes

Follow the steps to specify your fixture.

example:

① Base Code	② Code	Color
BLECLNS	WH	White
	BK	Black





41x26mm