

COB PULL-DOWN | Round | Recessed

VFDC-210-COB

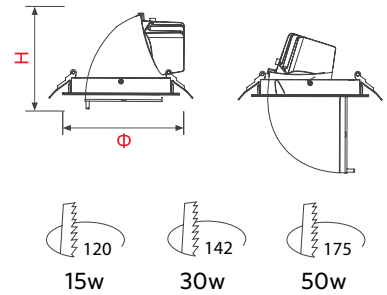
IP20 | 24° | 38° | **CRI 80** **CRI 85**



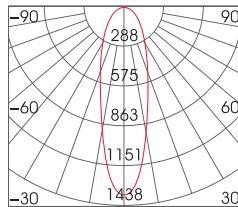
LED Power: 15w COB
 1275 lm (luminaire output)
 Cutting hole: Ø120mm
 Dimension: Ø130 x H80mm

LED Power: 30w COB
 2550 lm (luminaire output)
 Cutting hole: Ø142mm
 Dimension: Ø151 x H140mm

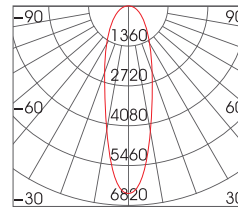
LED Power: 50w COB
 4250 lm (luminaire output)
 Cutting hole: Ø175mm
 Dimension: Ø188 x H180mm



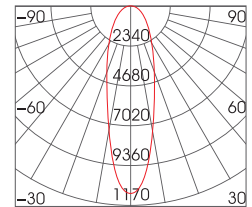
10W 24°



30W 24°



50W 24°



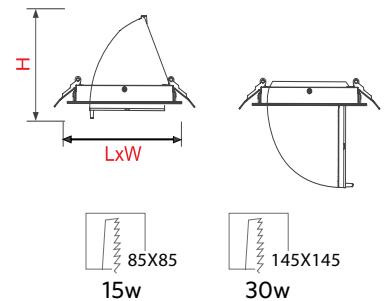
VFDC-306-COB

IP20 | 40° | 60° | **CRI 80**

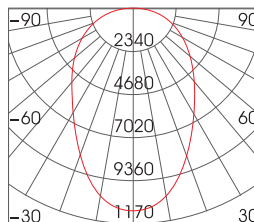


LED Power: 15w COB
 1290 lm (luminaire output)
 Cutting hole: 85 x 85mm
 Dimension: 100 x 100 x H67mm

LED Power: 30w COB
 2600 lm (luminaire output)
 Cutting hole: 138 x 138mm
 Dimension: 145 x 145 x H110mm



30W 40°



Ordering Code: VFDC-H - COB - XXW - YYD - ZZZ

Example: VFDC-210-COB-30W-24D-827

H = 210, 306
XX = (Watt) e.g. 15W, 30W, 50W...
YY = (Beam Angle) e.g. 24D, 38D, 40D, 60D

ZZZ = the code for color rendering and color temperature, eg.
827 = CRI >80 and CCT - 2700K; **830** = CRI >80 and CCT - 3000K; **840** = CRI >80 and CCT - 4000K